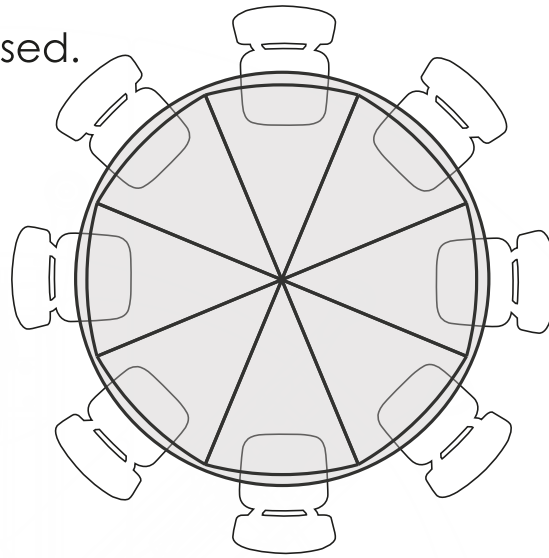


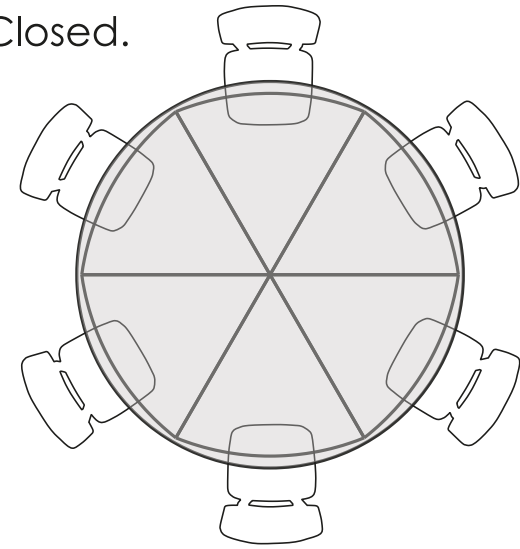


Sizes  
&  
Seating  
Capacity

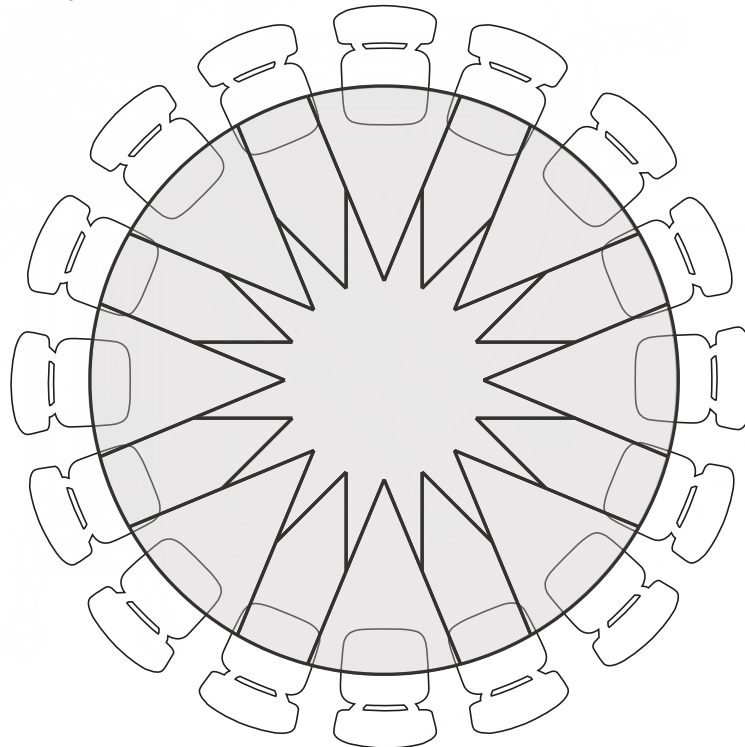
4 Closed.



3 Closed.

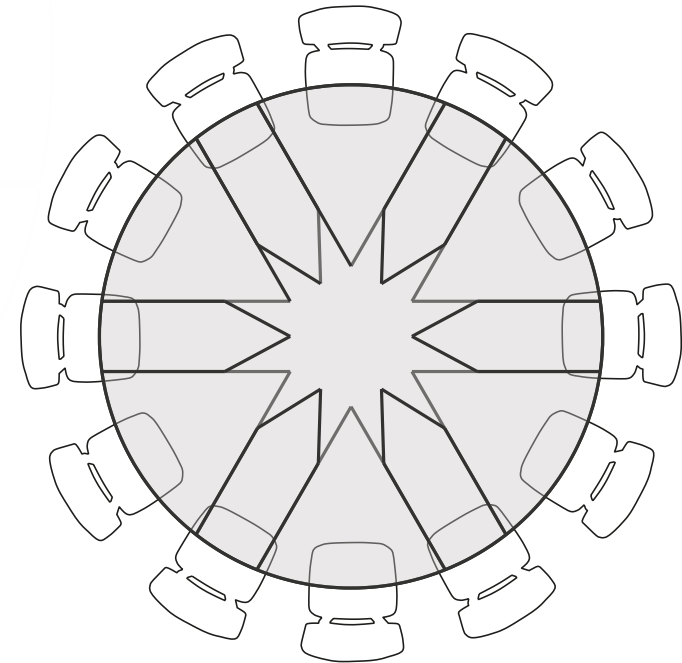


4 Open.



Operates via electric drive.

3 Open.

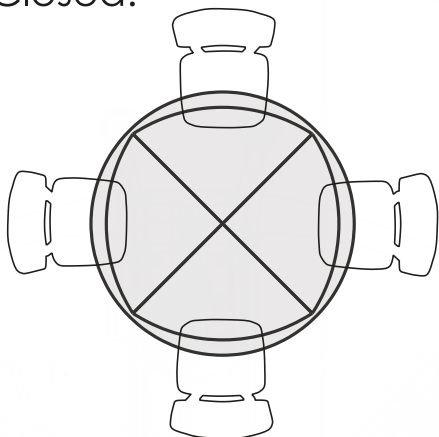


Operates via electric drive.

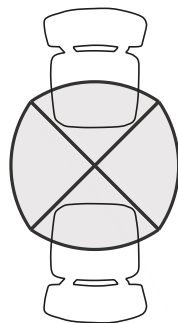


## Sizes & Seating Capacity

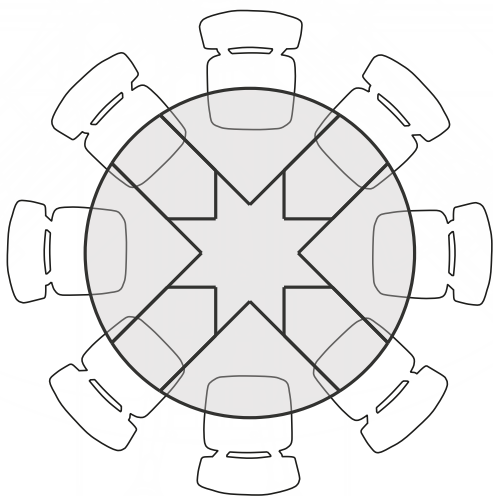
2 Closed.



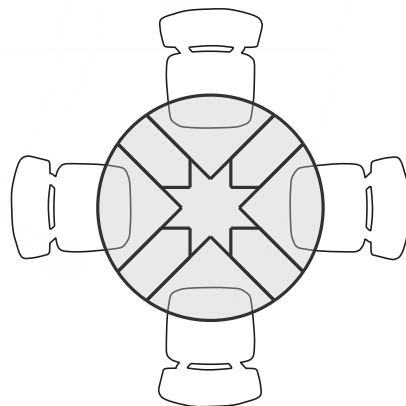
1 Open.



2 Open.



1 Closed.



The range of styles illustrate combinations of timbers, tinted glass, gold and silver chrome fittings. These materials, or your own choice, can be specified in the sizes shown.

**Size 1 Seats 2 expanding to seat 4.**

Closed 78.0cms (30.7")

Open 102.0cms (40.1")

**Size 2. Seats 4 expanding to seat 8.**

Closed 120.0cms (47.2")

Open 150.0cms (59.0")

**Size 3. Seats 6 expanding to seat 12.**

Closed 176.0cms (69.2")

Open 229.2cms (90.2")

**Size 4. Seats 8 expanding to seat 16.**

Closed 200cms (78.7")

Open 300cms (118.1")

All tables are built to a standard dining table height of 74cms (29.1").

Size 1 mechanism is available from stock..

Sizes 2, 3 and 4 are built to order.

Sizes and specifications may be subject to change or variation, but are correct at the time of print. Please contact our sales department to confirm your requirement.